

WARNINGS

IMPORTANT SAFETY INSTRUCTIONS

- Read all the instructions before using the product.
- Keep the light out of children's reach; it is not a toy.
- To reduce the risk of injury, close supervision is necessary when the product is used near children.
- Do not put fingers or hands into the product.
- Make sure the light is securely mounted to avoid injuries.
- Use the product with care and avoid dropping or any sudden impact, which may result in undesirable operation.
- Inspect the product before using for any visual damage or defects. Do not use if the product has been damaged.
- Do not expose this product to high temperatures, keep away from open flame.
- Clean the surface of the fixture with a soft and dry cloth. Never use a cleaner with chemicals, solvents, or harsh abrasives to clean the product.
- Do not disassemble the light; take it to a qualified serviceperson when service or repair is required. Incorrect reassembly may result in a risk of fire or electric shock.

WARNING – When using this product, basic precautions should always be followed, including the following:

- Do not expose the power bank to rain or snow.
- Do not expose the power bank to heat or fire. Do not store in direct sunlight or in a vehicle.
- Use of a power supply or charger not recommended or sold by the power bank manufacturer may result in a risk of fire or injury to persons.
- Do not use the power bank in excess of its output rating. Overload outputs above rating may result in a risk of fire or injury to persons.
- Do not use the power bank that is damaged or modified. Damaged or modified batteries may exhibit unpredictable behavior resulting in fire, explosion or risk of injury.

- Do not disassemble the power bank. Take it to a qualified service person when service or repair is required. Incorrect reassembly may result in a risk of fire or injury to persons.
- Do not expose a power bank to fire or excessive temperature. Exposure to fire or temperature above 113°F (45 °C) may cause explosion.
- Have servicing performed by a qualified service or repair person using only identical replacement parts. This will ensure that the safety of the product is maintained.
- Switch off the power bank when not in use.
- **CAUTION:** Risk of Fire and Burns. Do not open, crush, heat above 113°F (45 °C) or incinerate. Follow manufacturer's instructions.
- Do not store in locations where the temperature may exceed 113°F (45 °C).

⚠ WARNING: This product can expose you to chemicals including Di(2-ethylhexyl)phthalate (DEHP) and Diisononyl Phthalate (DINP), which are known to the State of California to cause cancer and birth defects or other reproductive harm. For more information go to www.P65Warnings.ca.gov.

BATTERY DISPOSAL

The battery is self-contained and not consumer replaceable. The battery must be disposed of properly when it no longer holds a charge. Proper charging practices will increase the life of the product.

For information on battery recycling, call toll-free 800-822-8837. For information regarding air travel safety with batteries please check the U.S. Department of Transportation prior to travel at: <http://phmsa.dot.gov/safetravel/batteries> or contact your airline if traveling from a country outside the U.S.

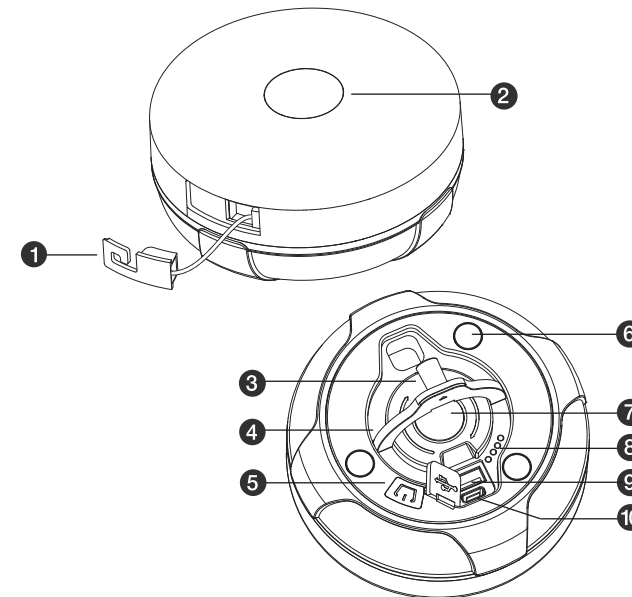
SPECIFICATIONS

USB-C Input: 5V~1A
USB-A Output: 5V~1A
Light Output: 250lm
Battery Type: Lithium-ion
Battery Capacity: 3,7V 2000mAh 7.4Wh
String Length: 32ft
IP Rating: IP44 Water-Resistant (With Ports Covered)

PACKAGE CONTENTS

1 x Camping String Light
1 x USB-C Charging Cable
1 x Instruction Manual
1 x Warranty Card

PRODUCT OVERVIEW

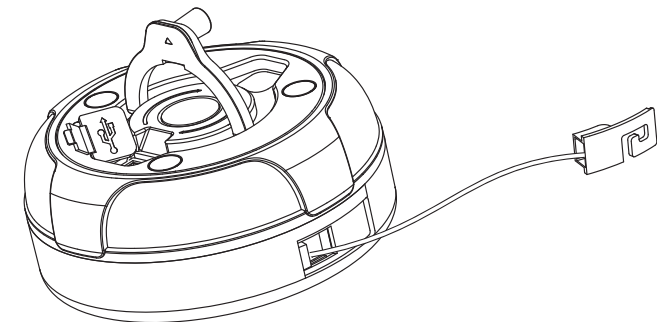


1. Pull Tab & String Light
2. Main Light
3. Crank Handle
4. Hanging Hook
5. Power & Mode Button
6. Magnet
7. Flashlight
8. Battery Indicators
9. USB-A Output Port
10. USB-C Input Port

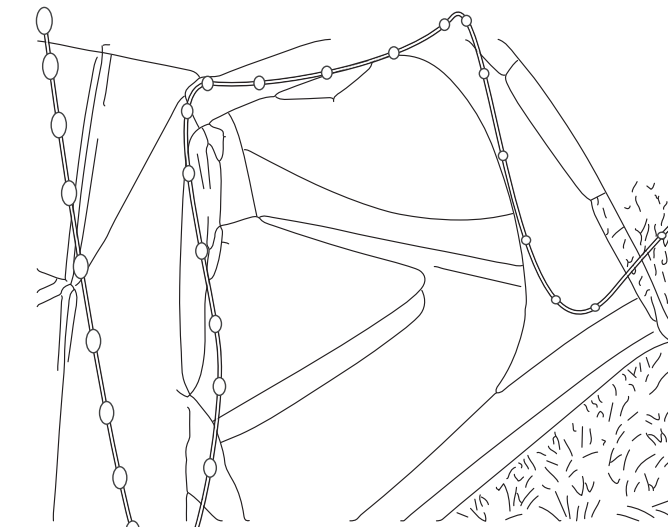
USING THE CAMPING LIGHT

This all-in-one camping light combines a retractable string light, a main light, and a flashlight in a single portable unit for versatile use outdoors.

1. Draw the light string from the main unit using the pull tab until you have the desired length. Do not yank or pull at an angle.

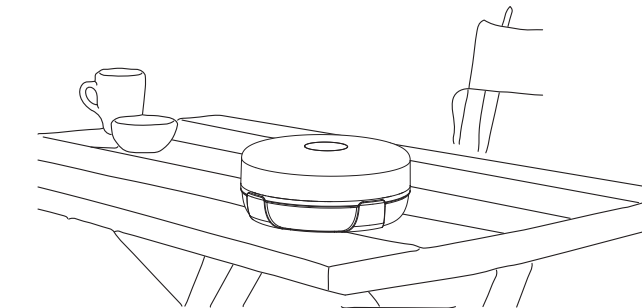


2. Drape the light string and secure it with the pull tab.

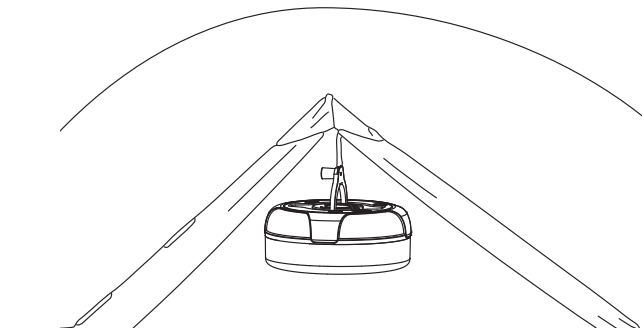


3. Hang, rest, or magnetically attach the main unit where you prefer. Avoid unstable surfaces.


On A Table:




On A Tent Pole:

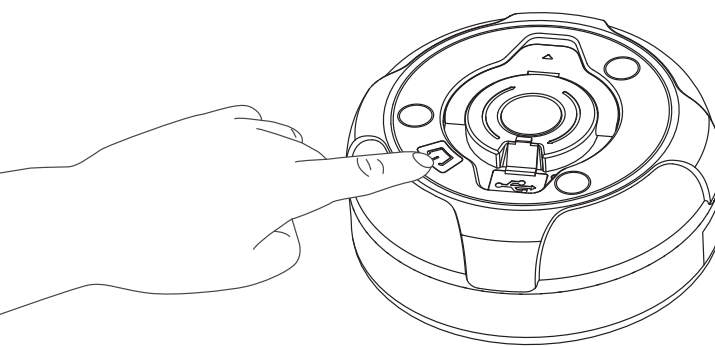


4. Adjust the brightness and light modes.

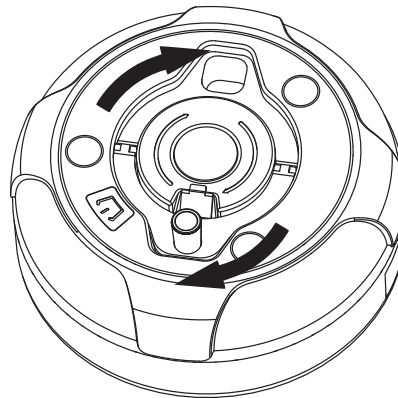
- **String & Main Lights:**
Press  to turn on the string light. Press again within 10 seconds* to switch modes:
Warm String Light > Blinking String Light > Breathing String Light > Main + String Light > Main Light

- **Flashlight:**
Press and hold  to turn on the flashlight. Press again within 10 seconds* to switch modes:
High > Low > Blinking


*NOTE: If you wait more than 10 seconds, the next press will turn the light off.



5. Flip the hanging hook to the opposite side. Rotate the crank handle to retract the light string.

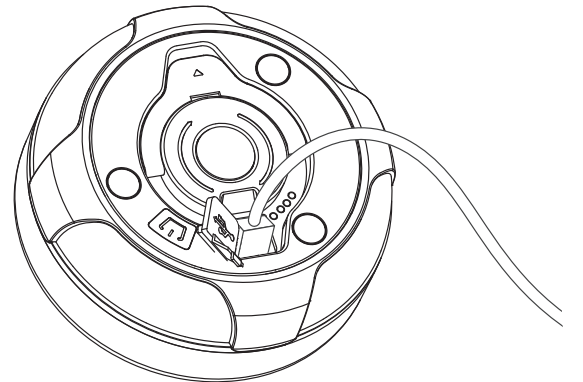


CHECKING THE BATTERY LEVEL

Press  once, and the battery indicators will light up to show the current charge level.

LED Status:	1 Light ●○○○	2 Lights ●●○○	3 Lights ●●●○	4 Lights ●●●●
Battery Capacity:	0-25%	25-50%	50-75%	75%-Full

CHARGING THE CAMPING LIGHT



1. Connect the charging cable to the USB-C port.
2. Connect the other end of the cable to a power source.
3. Disconnect the camping light when it is fully charged. Store it in a safe place when not in use.

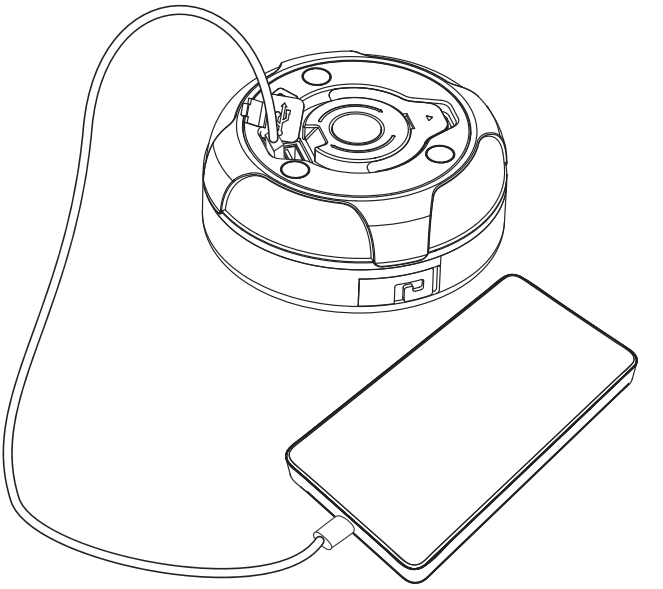
NOTES:

- We recommend using the USB-A to USB-C cable provided in this package as your charging cable.
- Fully charge the camping light before first use. To preserve the battery life and performance, check the battery status regularly, charge when needed.

CHARGING YOUR DEVICE

Charge your mobile device via the USB-A port using either the original cable or a manufacturer-certified cable.

NOTE: When charging the camping light via the USB-C port, the USB-A port is not available for charging other devices.



FCC COMPLIANCE STATEMENT

This device complies with Part 15 of the FCC rules. Operation is subject to the following two conditions: (1) This device may not cause harmful interference, and (2) this device must accept any interference received, including interference that may cause undesired operation.

WARNING: Changes or modifications to this unit not expressly approved by the party responsible for compliance could void the user's authority to operate the equipment. The manufacturer is not responsible for any radio or TV interference caused by unauthorized modifications or change to this equipment. Such modifications or change could void the user's authority to operate the equipment.

NOTE: This equipment has been tested and found to comply with the limits for a Class B digital device, pursuant to part 15 of the FCC Rules. These limits are designed to provide reasonable protection against harmful interference in a residential installation. This equipment generates uses and can radiate radio frequency energy and, if not installed and used in accordance with the instructions, may cause harmful interference to radio communications. However, there is no guarantee that interference will not occur in a particular installation. If this equipment does cause harmful interference to radio or television reception, which can be determined by turning the equipment off and on, the user is encouraged to try to correct the interference by one or more of the following measures:

- Reorient or relocate the receiving antenna.
- Increase the separation between the equipment and receiver.
- Connect the equipment into an outlet on a circuit different from that to which the receiver is connected.
- Consult the dealer or an experienced radio/TV technician for help.

Portable LED Camping String Light
LM535059
Responsible Party:
ROAMCRAFT
2975 Red Hill Ave., Ste. 100,
Costa Mesa, CA 92626, U.S.A.
Tel: 1.866.294.9244

ROAMCRAFT™

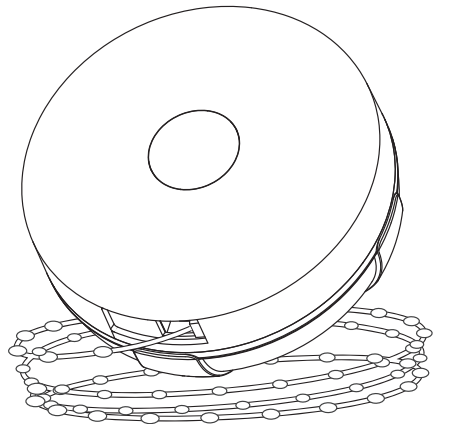
A Horizon Brands Company
2975 Red Hill Ave., Ste. 100,
Costa Mesa, CA 92626, U.S.A.
1.866.294.9244 | info@roamcraftoutdoors.com
©2026 All rights reserved.
www.roamcraftoutdoors.com

ML-535059_V1

ROAMCRAFT™

PORTABLE LED CAMPING STRING LIGHT

WP ITM. LM535059
Care & Use Instructions



Important, retain for future reference:
Read carefully

