

WARNINGS

IMPORTANT SAFETY INSTRUCTIONS

- Read all the instructions before using the product.
- Keep the light out of children's reach; it is not a toy.
- To reduce the risk of injury, close supervision is necessary when the product is used near children.
- Do not put fingers or hands into the product.
- Make sure the light is securely mounted to avoid injuries.
- Use the product with care and avoid dropping or any sudden impact, which may result in undesirable operation.
- Inspect the product before using for any visual damage or defects. Do not use if the product has been damaged.
- Do not expose this product to high temperatures, keep away from open flame.
- Clean the surface of the fixture with a soft and dry cloth. Never use a cleaner with chemicals, solvents, or harsh abrasives to clean the product.
- Do not disassemble the light; take it to a qualified serviceperson when service or repair is required. Incorrect reassembly may result in a risk of fire or electric shock.

WARNING – When using this product, basic precautions should always be followed, including the following:

- Do not expose the power bank to rain or snow.
- Do not expose the power bank to heat or fire. Do not store in direct sunlight or in a vehicle.
- Use of a power supply or charger not recommended or sold by the power bank manufacturer may result in a risk of fire or injury to persons.
- Do not use the power bank in excess of its output rating. Overload outputs above rating may result in a risk of fire or injury to persons.
- Do not use the power bank that is damaged or modified. Damaged or modified batteries may exhibit unpredictable behavior resulting in fire, explosion or risk of injury.

- Do not disassemble the power bank. Take it to a qualified service person when service or repair is required. Incorrect reassembly may result in a risk of fire or injury to persons.
- Do not expose a power bank to fire or excessive temperature. Exposure to fire or temperature above 113°F (45 °C) may cause explosion.
- Have servicing performed by a qualified service or repair person using only identical replacement parts. This will ensure that the safety of the product is maintained.
- Switch off the power bank when not in use.
- CAUTION: Risk of Fire and Burns. Do not open, crush, heat above 113°F (45 °C) or incinerate. Follow manufacturer's instructions.
- Do not store in locations where the temperature may exceed 113°F (45 °C).

WARNING: This product can expose you to chemicals including Di(2-ethylhexyl)phthalate (DEHP) and Diisononyl Phthalate (DINP), which are known to the State of California to cause cancer and birth defects or other reproductive harm. For more information go to www.P65Warnings.ca.gov.

BATTERY DISPOSAL

The battery is self-contained and not consumer replaceable. The battery must be disposed of properly when it no longer holds a charge. Proper charging practices will increase the life of the product.

For information on battery recycling, call toll-free 800-822-8837. For information regarding air travel safety with batteries please check the U.S. Department of Transportation prior to travel at: <http://phmsa.dot.gov/safetravel/batteries> or contact your airline if traveling from a country outside the U.S.

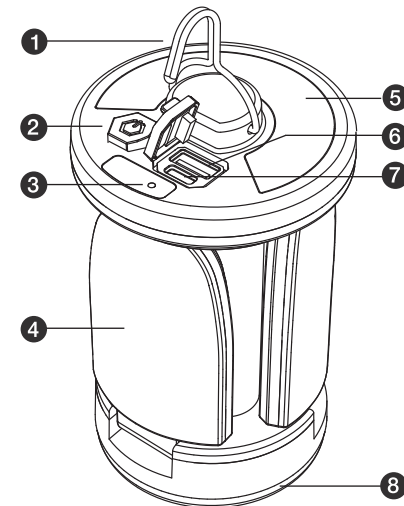
SPECIFICATIONS

USB-C Input: 5V~1A
USB-A Output: 5V~1A
Light Output: 300lm
Battery Type: Lithium-ion
Battery Capacity: 3,7V 2500mAh 9.25Wh
IP Rating: IP44 Water-Resistant (With Ports Covered)

PACKAGE CONTENTS

1 x Camping Lantern
1 x USB-C Charging Cable
1 x Instruction Manual
1 x Warranty Card

PRODUCT OVERVIEW



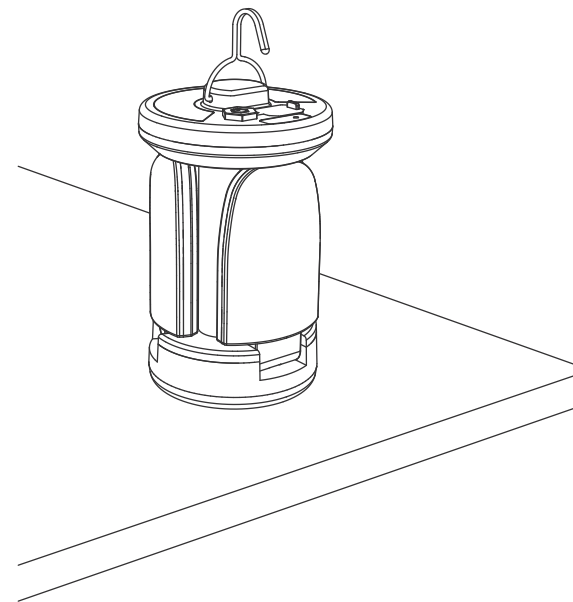
1. Hanging Hook
2. Power & Mode Button
3. Battery Indicator
4. Foldable Panel Lights
5. Solar Panel
6. USB-A Output Port
7. USB-C Input Port
8. Center Light

USING THE CAMPING LANTERN

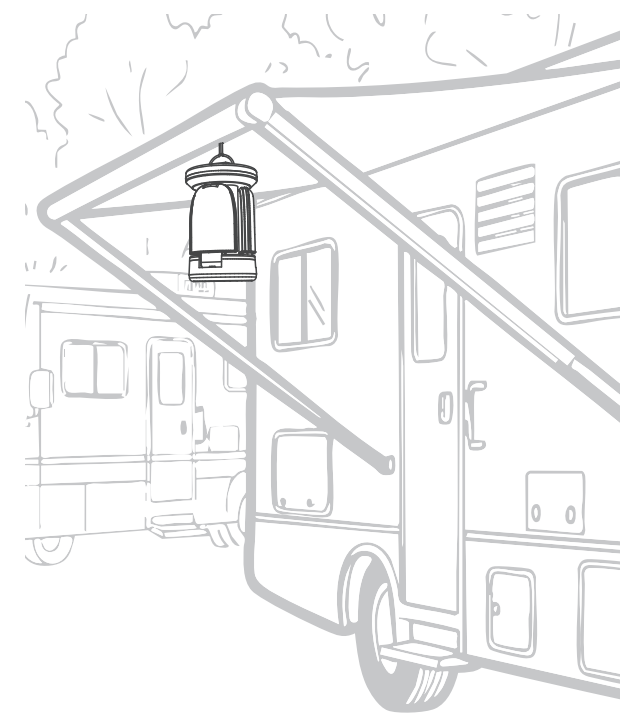
This versatile camping lantern features three foldable panel lights and a center light, all integrated into a single portable unit for outdoor convenience.

1. Hang or rest the lantern where you prefer. Avoid unstable surfaces.

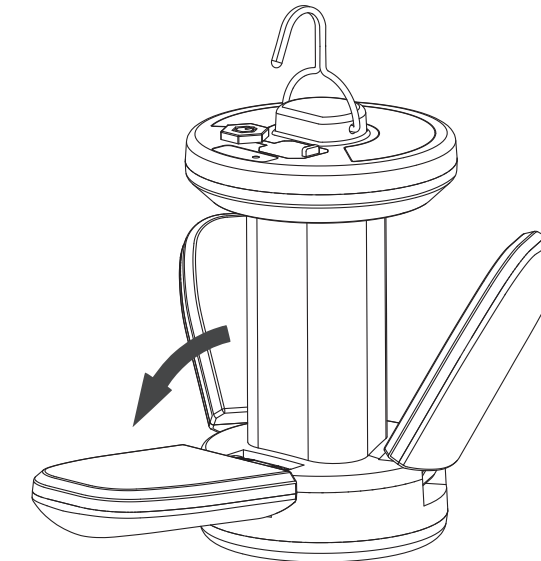
On A Table:




On An Awning:

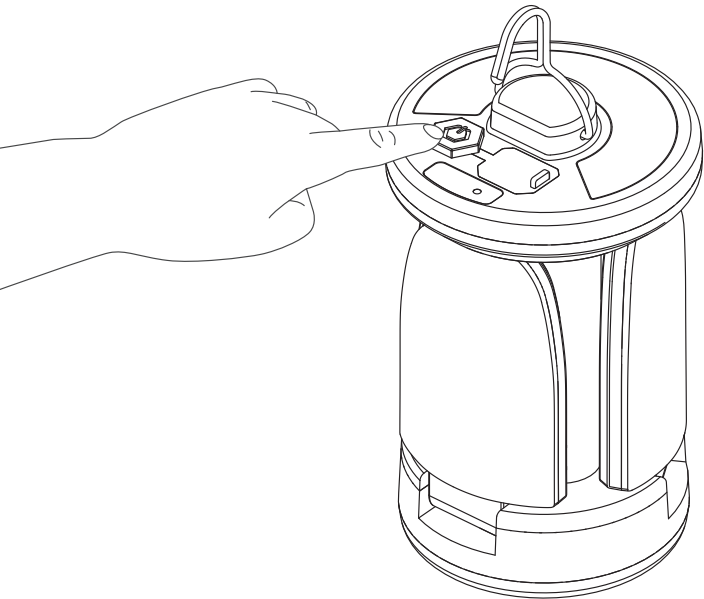


2. Adjust the panels to set your desired light angle and coverage area.



- Adjust the brightness and light modes.
 - Press  to turn on the lantern.
 - Press again within 10 seconds* to switch between different light modes:
Panel High Beam > Panel Low Beam > Center High Beam > Center Low Beam > All Lights.

*NOTE: If you wait more than 10 seconds, the next press will turn the lantern off.



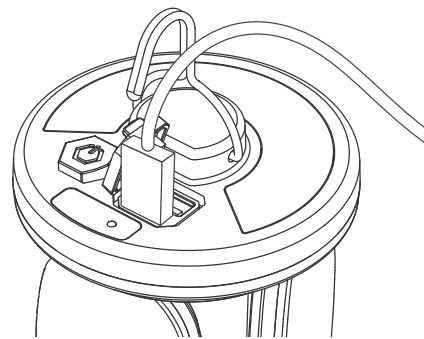
CHARGING THE CAMPING LANTERN

When the battery is low, the camping lantern will operate only in low beam modes. Please charge it in time.

This lantern provides two charging options: USB-C charging and solar charging.

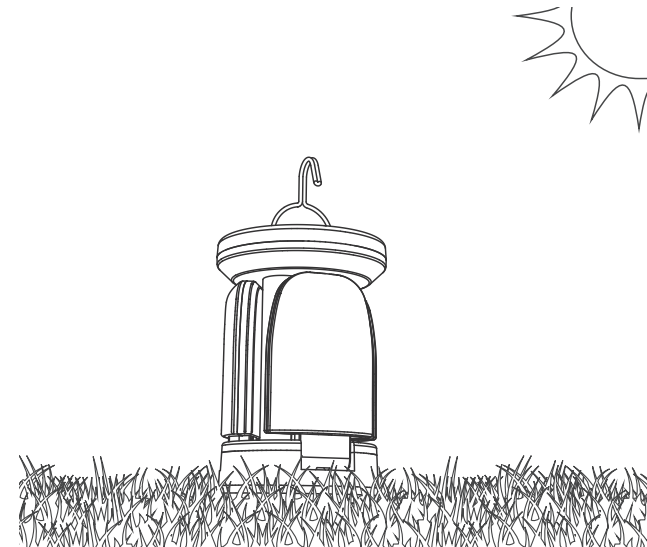
USB-C Charging

- Connect the charging cable to the USB-C port, then connect the other end to a power source.
- We recommend using the USB-A to USB-C cable provided in this package as your charging cable.



Solar Charging

- Place the lantern in direct sunlight to charge off the grid.
- Make sure the solar panel on your lantern is not obstructed.



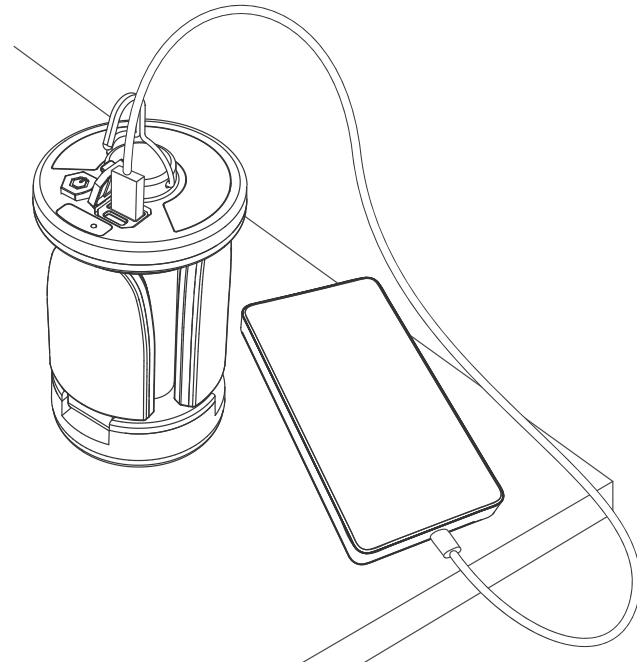
NOTES:

- Fully charge the camping lantern before first use. To preserve the battery life and performance, check the battery status regularly, charge when needed.
- Clean the solar panel regularly with a soft, damp cloth for optimal performance and charging efficiency.

CHARGING YOUR DEVICE

Charge your mobile device via the USB-A port using either the original cable or a manufacturer-certified cable.

NOTE: When charging the camping lantern via the USB-C port, the USB-A port is not available for charging other devices.



CHECKING THE LED INDICATOR

LED Indicator	Status
Flashes Green	USB-C Charging
Flashes Red and Green	Solar Charging
Solid Green	Charging Complete
Solid Red	Discharging

FCC COMPLIANCE STATEMENT

This device complies with Part 15 of the FCC rules. Operation is subject to the following two conditions: (1) This device may not cause harmful interference, and (2) this device must accept any interference received, including interference that may cause undesired operation.

WARNING: Changes or modifications to this unit not expressly approved by the party responsible for compliance could void the user's authority to operate the equipment. The manufacturer is not responsible for any radio or TV interference caused by unauthorized modifications or change to this equipment. Such modifications or change could void the user's authority to operate the equipment.

NOTE: This equipment has been tested and found to comply with the limits for a Class B digital device, pursuant to part 15 of the FCC Rules. These limits are designed to provide reasonable protection against harmful interference in a residential installation. This equipment generates uses and can radiate radio frequency energy and, if not installed and used in accordance with the instructions, may cause harmful interference to radio communications. However, there is no guarantee that interference will not occur in a particular installation. If this equipment does

cause harmful interference to radio or television reception, which can be determined by turning the equipment off and on, the user is encouraged to try to correct the interference by one or more of the following measures:

- Reorient or relocate the receiving antenna.
- Increase the separation between the equipment and receiver.
- Connect the equipment into an outlet on a circuit different from that to which the receiver is connected.
- Consult the dealer or an experienced radio/TV technician for help.

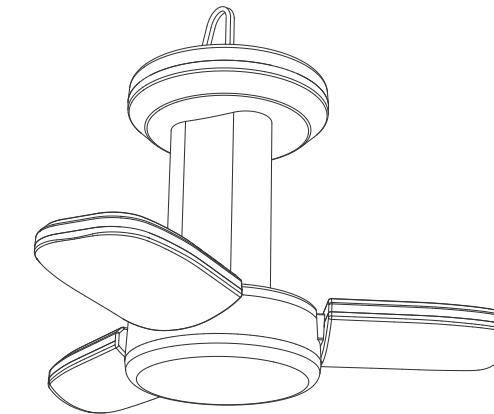
Solar-Powered LED Camping Lantern
LM535060
Responsible Party:
ROAMCRAFT
2975 Red Hill Ave., Ste. 100,
Costa Mesa, CA 92626, U.S.A.
Tel: 1.866.294.9244

ROAMCRAFT™

A Horizon Brands Company
2975 Red Hill Ave., Ste. 100,
Costa Mesa, CA 92626, U.S.A.
1.866.294.9244 | info@roamcraftoutdoors.com
©2026 All rights reserved.
www.roamcraftoutdoors.com

ROAMCRAFT™ SOLAR-POWERED LED CAMPING LANTERN

WP ITM. LM535060
Care & Use Instructions



Important, retain for future reference:
Read carefully

ML-535060_V1

BC